



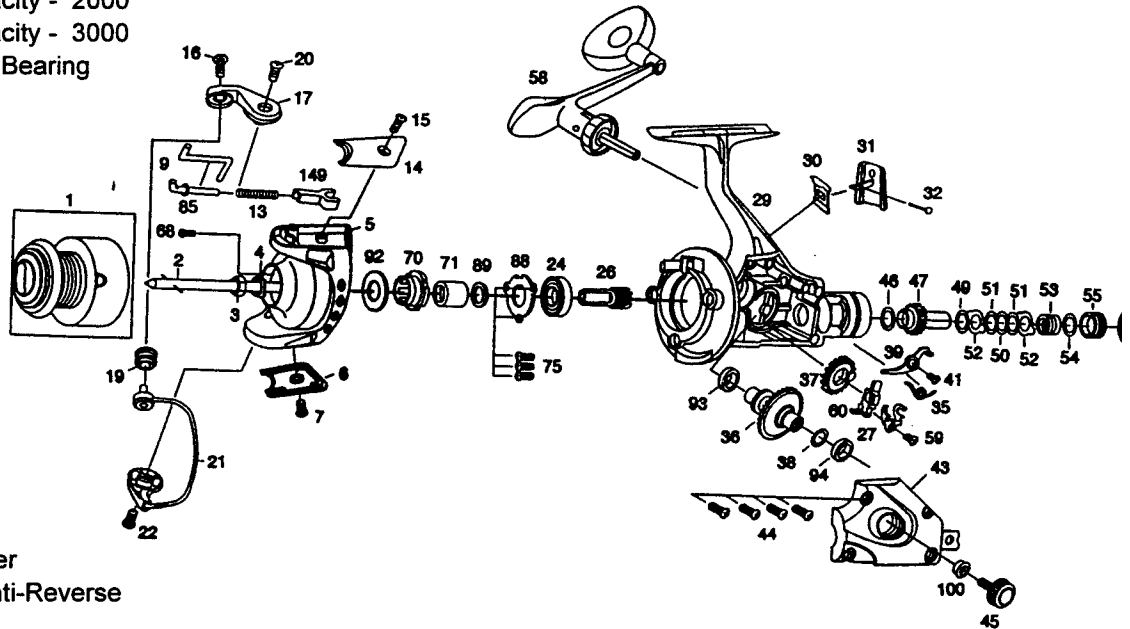
BROWNING 2000 / 3000 STRATA

SPECIFICATIONS :

- .t FW - 2000
- M Lt. FW - 3000
- 145 yds / 6 lb Line Capacity - 2000
- 130 yds / 8 lb Line Capacity - 3000
- 1 Ball Bearing; 1 Roller Bearing
- 9.8 oz. - 2000
- 10 oz. - 3000
- 5.3:1 Gear Ratio
- 24" IPT

FEATURES :

- Rear Drag
- Balanced Rotor
- Balanced Handle
- Twist Reducer Line Roller
- Selective Continuous Anti-Reverse



Key No.	Part No.	Description	Price	Key No.	Part Number	Description	Pi
1	PA321-01	SPOOL ASSEMBLY (2000)		43	PA323-01	BODY COVER ASSEMBLY	
	PA321-21	SPOOL ASSEMBLY (3000)		44	GU057-02	BODY COVER SCREW	
2	PA315-01	MAIN SHAFT ASSEMBLY		45	PA073-01	HANDLE SCREW CAP	
3	GU006-01	ROTOR NUT		46	PA039-01	DRAG FRICTION WASHER	
4	PA065-01	ROTOR WASHER		47	PA075-01	DRAG CLICK GEAR	
5	PA009-01	ROTOR		49	PA045-01	DRAG WASHER	
6	PA046-01	BAIL HOLDER COVER		50	PA080-01	DRAG WASHER "D"	
7	GU077-01	COVER SCREW		51	PA033-01	DRAG WASHER "B"	
9	PA019-01	KICK LEVER		52	PA081-01	DRAG WASHER "A"	
13	PA022-01	BAIL SPRING		53	PA043-01	DRAG SPRING	
14	PA087-01	ARM LEVER SPRING COVER		54	PA029-01	DRAG WASHER	
15	GU077-01	COVER SCREW		55	PA066-01	DRAG NUT	
16	UL108-02	LINE SLIDER SCREW		56	PA032-01	DRAG KNOB	
17	PA007-01	ARM LEVER		57	PA101-01	DRAG KNOB SCREW	
19	PA004-01	LINE ROLLER		58	PA318-01	HANDLE ASSEMBLY	
20	PA044-01	ARM LEVER SCREW		59	JU100-01	MAIN SHAFT SCREW	
21	PA347-01	BAIL ASSEMBLY		60	PA025-01	O/S SLIDER	
22	PA044-01	BAIL HOLDER SCREW		68	GU077-01	ROTOR NUT LOCK S/C	
24	PA028-01	BALL BEARING		70	PA074-01	ONE WAY CLUTCH	
26	PA011-01	PINION GEAR		71	PA139-01	CLUTCH SLEEVE	
27	PA078-01	RETAINER		75	GU077-01	BEARING SCREW	
29	PA001-01	BODY		85	PA031-01	BAIL SPRING SHAFT	
30	PA089-01	A/R LEVER SPRING		88	PA040-01	BEARING PLATE	
31	PA090-01	A/R LEVER		89	PA141-01	PINION BUSHING	
32	PA062-01	A/R LEVER PIN		92	PA110-01	WASHER	
35	PA061-01	A/R PAWL SPRING		93	PA028-01	GEAR SHAFT BUSHING	
36	PA012-01	DRIVE GEAR		94	PA028-01	GEAR SHAFT BUSHING	
37	PA053-01	O/S GEAR		100	PA105-01	HANDLE SCREW CAP W/S	
38	GU105-08	ADJUST WASHER		149	PA020-01	BAIL SPRING HOLDER	
39	PA063-01	A/R PAWL		150	PA083-01	DRAG KNOB CLICK SPRING	
41	GU077-05	A/R PAWL SCREW					

MODEL	EFFECTIVE DATE OF
INTRODUCED : 1998	PARTS LIST/DIAGRAM: July '98
	DISCONTINUED : N/A

Prices subject to change without notice. Prices do not include postage and handling.

